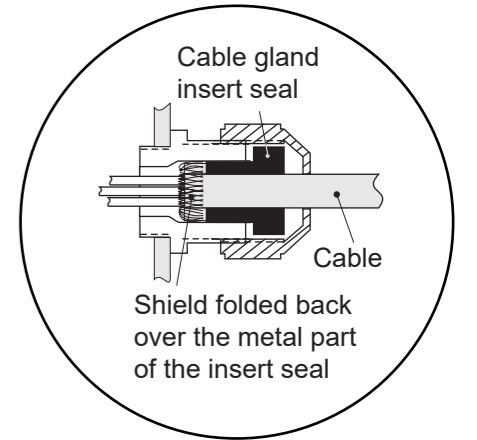
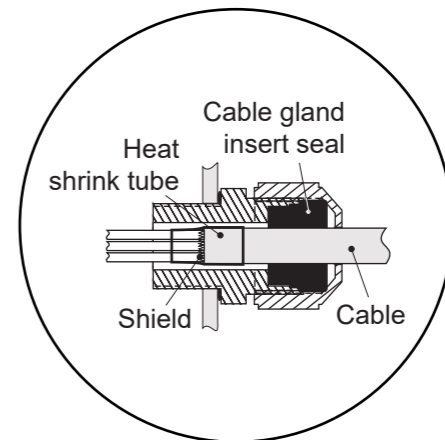
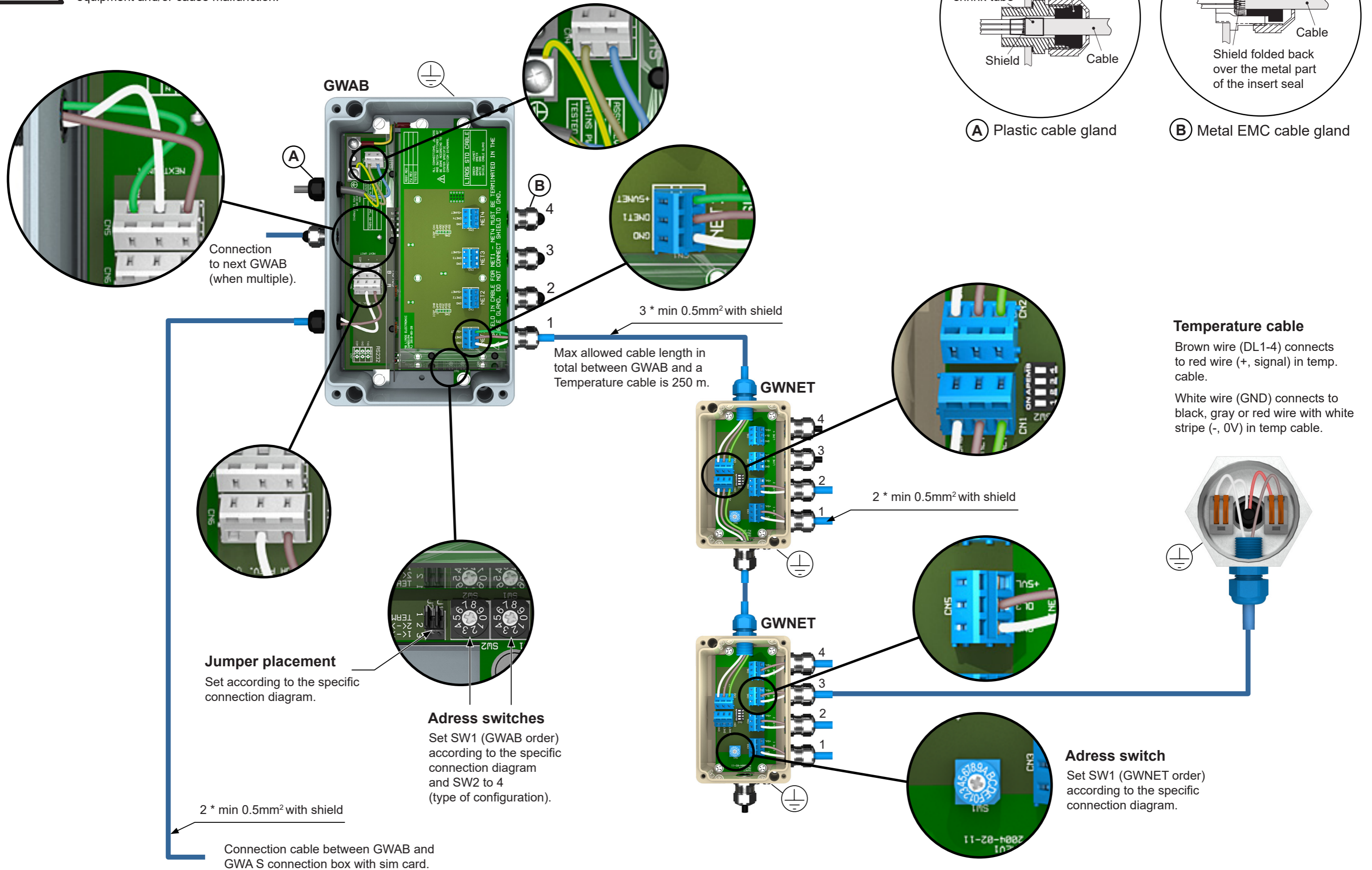


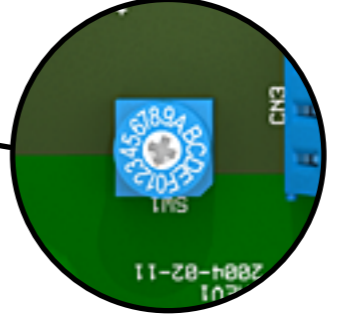
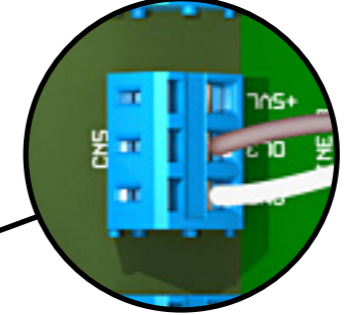
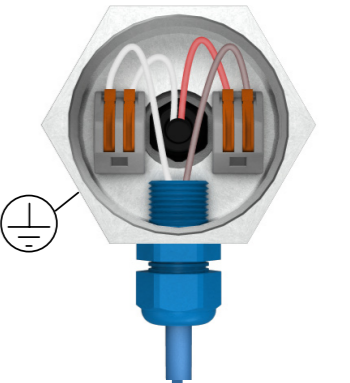
Overview - Wiring and Configuration - Modbus RTU



IMPORTANT! Read all the individual installation manuals and connection instructions concerning Grain Watch carefully before referring to this overview for wiring and configuration! Failure to do so may cause harm to person or equipment and/or cause malfunction.



Temperature cable
Brown wire (DL1-4) connects to red wire (+, signal) in temp. cable.
White wire (GND) connects to black, gray or red wire with white stripe (-, 0V) in temp. cable.



Jumper placement
Set according to the specific connection diagram.

Address switches
Set SW1 (GWAB order) according to the specific connection diagram and SW2 to 4 (type of configuration).

Address switch
Set SW1 (GWNET order) according to the specific connection diagram.