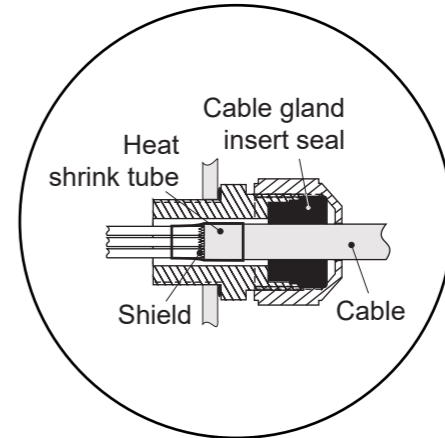
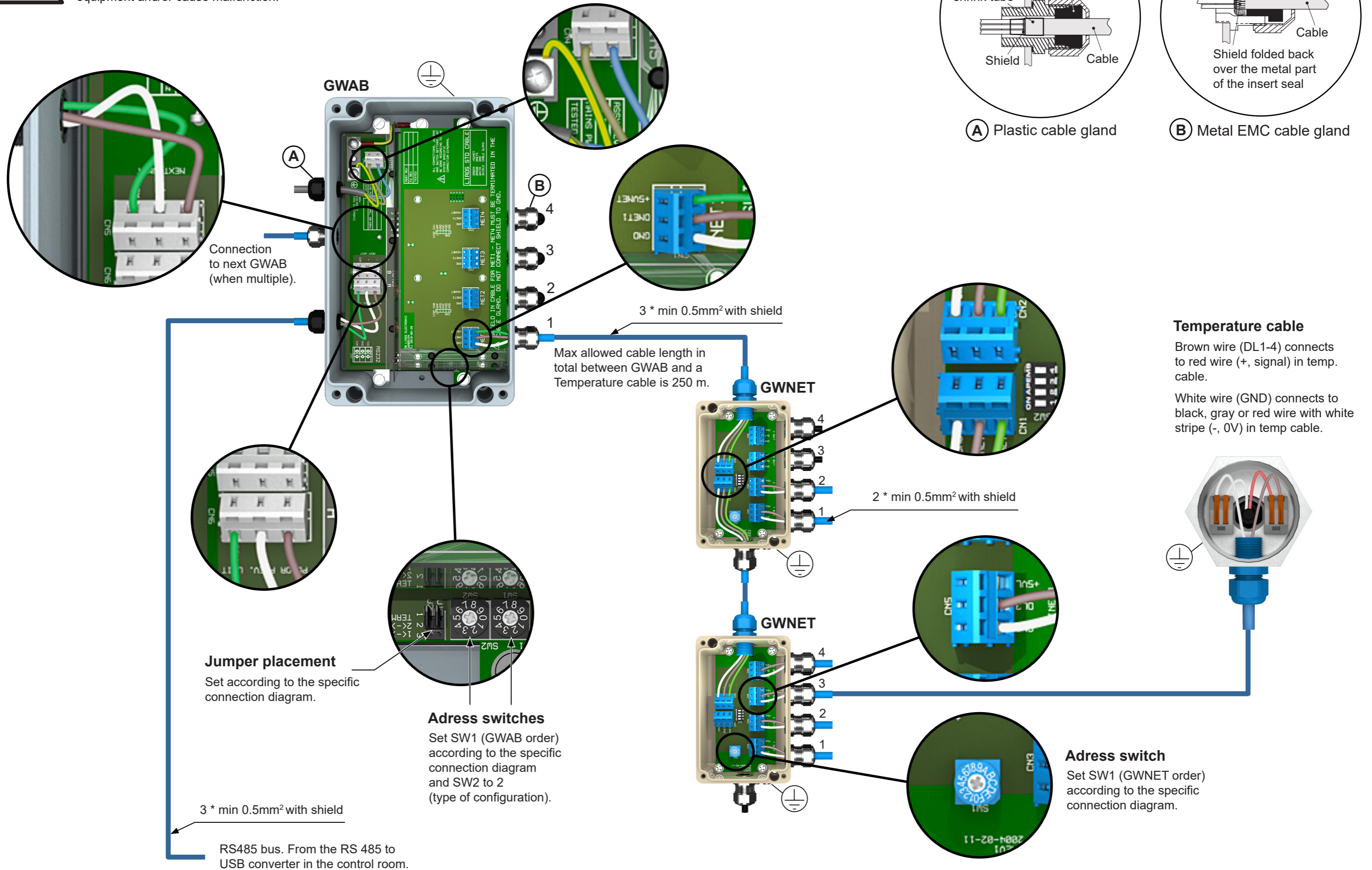


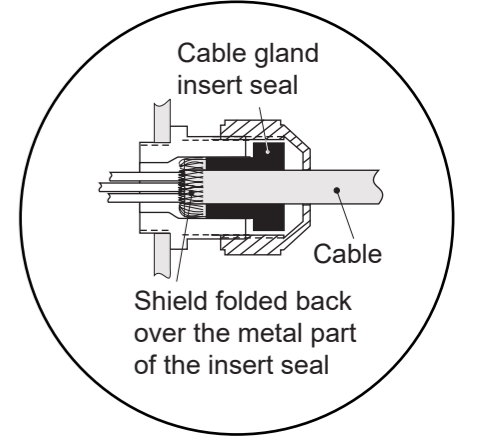
Overview - Wiring and Configuration - RS485 bus



IMPORTANT! Read all the individual installation manuals and connection instructions concerning Grain Watch carefully before referring to this overview for wiring and configuration! Failure to do so may cause harm to person or equipment and/or cause malfunction.



A Plastic cable gland



B Metal EMC cable gland